

HTA1500

series

Actuator



Product Categories

- Industrial Applications
- Furniture Applications
- Medical Applications

1500 One paragraph mini electric putter is for industrial, agricultural machinery, construction, clean sweeping vehicles, ships, automatic window control Manufactured goods and other applications designed actuators. The products are small-capacity, compact design, protected to IP65 optional HT Series Electric putter is One kind of power-driven device, Its installation is not the terrain. Distance limitations, the ideal product to replace hydraulic, pneumatic, both to save energy, but also through the microcomputer control, easy to automate. Existing furniture, chairs, a variety of equipment With the actuator, for which the utility model of linear actuators One study to address the problem

Product Features

Voltage	12V DC, 24V DC, 36V DC or 48V DC
The maximum push (pull) force	1,200N
The fastest speed at full load	98.0mm / s (load 50N)
Minimum dimensions	Stroke + 105mm (limited to 300 mm stroke or less) Stroke + 120mm (300 mm Travel more)
Color	Silver or black
Safety Certification	Compliance with ISO9001-2008, CE and RoHS specifications
Operating temperature range	+5 ° C~+65 ° C -45 ° C~+65 ° C
Other options	Hall sensor High strength metallic zinc alloy housing protects motor and gear Built-in limit switches (not adjustable)

Compact size suitable for small space

HTA1500 Series

Load and speed

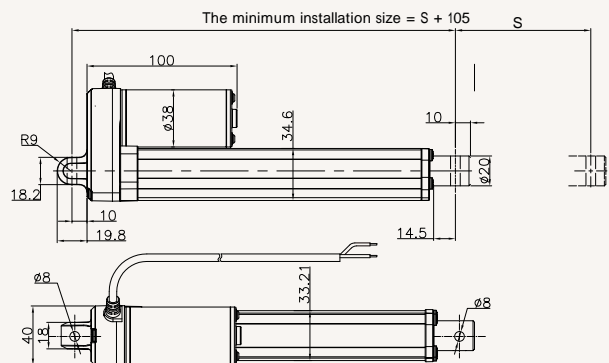
Code	Rated load		Self-locking force (Thrust under condition) N	Rated Load current (A)	Output speed	
	Thrust N	Pull N			Empty load (24V DC) mm/s	Rated load (24V DC) mm/s
Motor voltage (12V DC)						
A	1,200	1,200	3,000	3.8	5	4.5
B	800	800	2,000	3.8	10	8.6
C	700	700	1,800	3.0	15	13.6
D	400	400	600	3.0	30	28
E	200	200	200	2.5	50	48
Motor voltage (24V DC)						
F	1,200	1,200	3,000	3.8	5	4.5
G	800	800	2,000	3.8	10	8.6
H	700	700	1,800	3.0	15	13.6
K	400	400	600	3.0	30	28
L	200	200	200	2.5	50	48

Remark

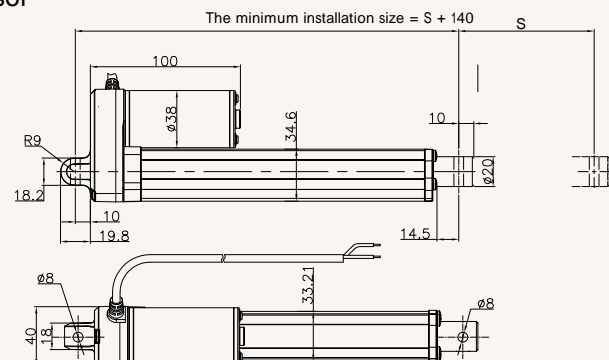
- 1, the speed of the current thrust of the left are protected by the protruding material.
- 2, 12V motor speed of about the same current of about 2 times.
- 3, take the self-locking force with the same information.

Engineering Drawings

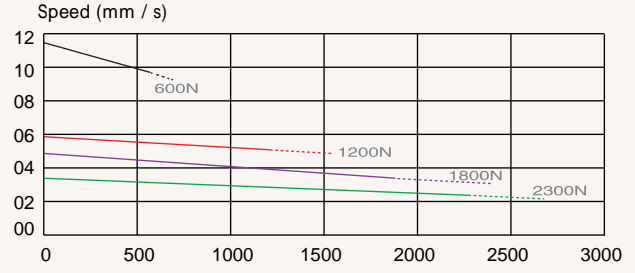
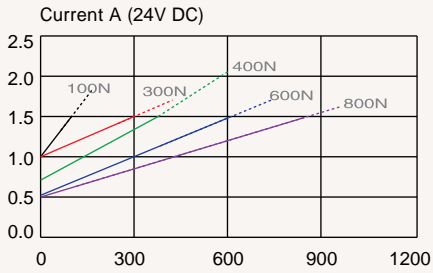
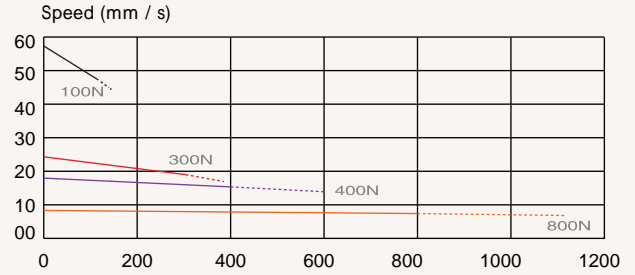
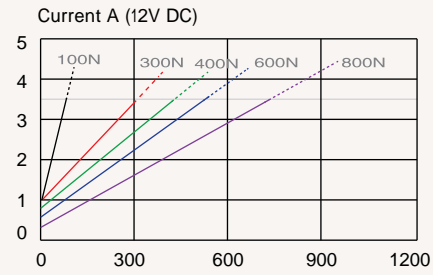
No overcurrent protection or Hall sensor
(mm)



Installation of overcurrent or Hall sensor
(mm)



Current and speed relational tables



Reference Chart

A2500 Series	Load $\pm 10\%$ (N)			Speed ± 2 (mm / sec)					
Load	1,200	800	600	400	300	200	150	100	50
Speed	5	10	15	20	25	30	48	73	98

A2500 Series	Stroke ± 2 (mm)			Mounting dimensions ± 2 (mm)				
Stroke	50	100	150	200	250	300	350	400
Size	155	205	255	305	355	420	470	520

Remark

- The above data is plus or minus about 10%, the dotted line portion of the graph is generally not recommended. The selection process to be careful! Typically high selectivity, load 800N, speed 10 mm / sec.
- calculated stroke and installation dimensions: Example: stroke 100 mm, 205 mm minimum installation size is equal to the maximum size is equal to 305 mm after projecting.
- more than 300 mm stroke dimensions plus 120 mm, for example: stroke 300 mm, the minimum dimensions equal to 420 mm, the maximum size is equal to 720 mm after projecting.

Wiring definitions

Code* Pin

		1	2	3	4	5
		● (Black)	● (Yellow)	● (Green)	● (Red)	● (Blue)
A	When projecting	VCD-	Empty	Empty	VCD+	Empty
B	Retracted	VCD+	Empty	Empty	VCD-	Empty
C	When projecting	VCD-	Upper limit	Public Information	VCD+	Lower limit
D	Retracted	VCD+	Upper limit	Public Information	VCD-	Lower limit

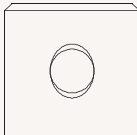
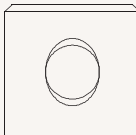
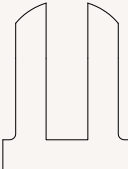
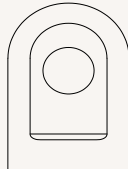
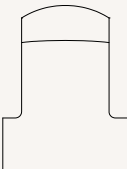
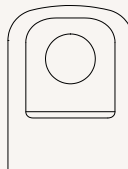
Remark

- * See specification code - limit switch function

HTA1500 model selection code table

HT-A1500

Version: 201500905-A1500

<input type="checkbox"/>	Voltage	12=12V DC	24=12V DC	36=12V DC	48=12V DC
<input type="checkbox"/>	Stroke (mm)				
<input type="checkbox"/>					
<input type="checkbox"/>					
<input type="checkbox"/>	Installation Size (mm)	Refer to page 3 Note: Before selecting dimensions, please refer invalid schedule			
<input type="checkbox"/>					
<input type="checkbox"/>	Speed	Refer to page 2			
<input type="checkbox"/>	Load	Refer to page 2			
<input type="checkbox"/>	Upper type	1 = Regular type, aperture 6mm 2 = ordinary type, aperture 8mm 3 = U type, width 6.5mm, 8mm aperture 4 = U type, width 6.5mm, 10mm aperture		5 = O type, width 14mm, 8mm aperture 6 = O type, width 14mm, 10mm aperture	
					
					
<input type="checkbox"/>	control method	0 = no overcurrent protection device 1 = install overcurrent operator			
<input type="checkbox"/>	Signal output	0 = no 1 = Hall sensor		2 = led limit signal line	
<input type="checkbox"/>	Plug				
<input type="checkbox"/>	Cable length	1 = straight, 300mm	2 = straight, 600mm	3 = straight, 1000mm	A = customized

Note: Code selection result
 Example: Voltage: 12V DC, stroke 100MM, 205MM = conventional installation stroke 100+ original size 105. speed 5MM / S, load 1,200N, install the upper end of claim 1, overcurrent protection, signal lines do not need to omit the power cord 300MM..
 Code: HTA1500-12-100-205 / 305-5-1200-1-1

Terms of Use

Geming user's responsibility to determine the suitability of a particular product licensing applications. Geming provide the latest information about the product carefully. However, continued research and development process to improve its product performance, Geming brand products without prior notice and may be modified or changed. Therefore, Geming can not guarantee some information within the publication of its product catalog to maintain the most accurate and authentic state. Geming retention stop on sales of the company website, product directory, or the powers of any other written information on the product listed.