



HTA28H

Series model

Actuator





Product Categories

1. Medical machinery
2. Furniture application
3. Automotive industry
4. Industrial Applications

HTA28H, the most competitive strength is MUTE, working with very low noise.

It is widely used in boat, home appliance, medical area and so on.

One section of industry, agricultural machinery, construction, clean sweeping vehicles, ships, cargo and other windows automatic control.

Product Features

Low noise:	45 DB
Voltage:	12V DC or 24V DC 36V DC 48V DC
The maximum push (pull) force:	2500N
The slowest speed at full load:	06mm / s (load 2500N)
Minimum dimensions:	Stroke + 125mm, Stroke + 140mm(Stroke >300 MM)
Color:	Silver gray
Safety Certification:	Compliance with ISO9001-2008, CE and RoHS
Operating temperature range:	+ 5 ° C ~ + 45 ° C, -45 ° C ~ + 75 ° C
Waterproof rating:	IP66
Built-in limit switches (not adjustable)	

Other options:

1. Synchronized control unit
(one controller for 2, 3, 4, up to 16 pcs)

Power supply for controller:

1. 110-240v AC
2. 12v DC
3. 24v DC

Remote handset option:
(please contact sales person for photos)

1. Wired handset
2. Wireless handset
3. Both wired and wireless handset



Series model

HTA28H

Load and speed

Code	Rated load		Self-locking force		Rated Load current A	Non-load Speed mm/s	Full-load Speed mm/s
	Push N	Pull N	Static	Dynamic N			
Motor voltage (24V DC)							
A	2500	2500	3000	2000	6.8	6	4.7
B	1600	1600	1600	1500	6.3	12	9.4
C	700	700	500	300	5.4	18	13.5
D	500	500	500	500	3.6	24	18.7
E	200	100	100	100	3.6	36	28

Updating...

Remark:

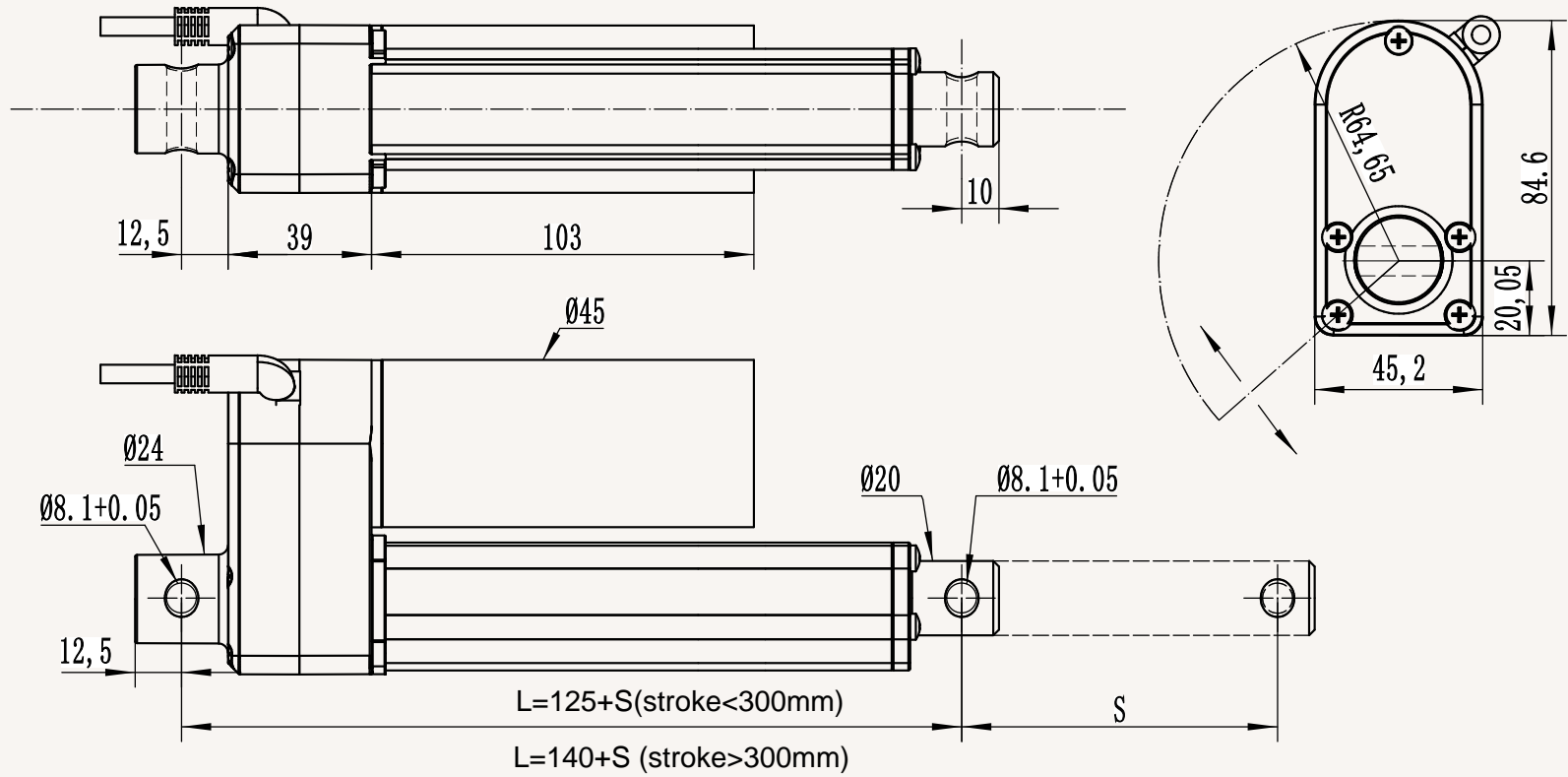
1. The current of a 12V motor is about twice that of the same speed.
2. Avoid shaking during working.
3. Need vertical or horizontal installation, because Mounting Angle will affect the load capacity.



Series model

HTA28H

Drawings
Standard size
(mm)





Series model

HTA28H

Reference Chart

TA280 Series
Load \pm 10% (N)
Speed \pm 2 (mm / sec)

Load	2500	1600	700	500	200
Speed	06	12	18	24	36

TA280 Series
Stroke \pm 2 (mm)
Mounting dimensions \pm 2 (mm)

Stroke	50	100	150	200	250	300	350	400	450
Size	175	225	275	325	375	440	490	540	590

Remark

- 1 The above data plus or minus about 10%, the dotted line portion of the graph is generally not recommended. The selection process to
- 2 Calculated stroke and installation dimensions: Example: stroke 100 mm, mounting dimensions 225mm (mounting dimension same as retracted length), and extended length 325mm

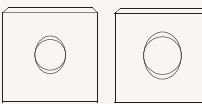
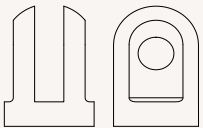
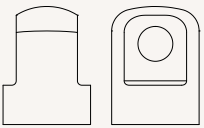


Series model

HTA28H

HTA28H Model selection code table

HTA28H

<input type="checkbox"/>	Voltage	12=12V DC	24=12V DC	36=12V DC	48=12V DC
<input type="checkbox"/>	Stroke (mm)				
<input type="checkbox"/>	Installation Size (mm)	Note: Before selecting dimensions, please refer invalid schedule Refer to page 4			
<input type="checkbox"/>	Speed (mm/s)	Refer to page 3-5			
<input type="checkbox"/>	Load (n)	Refer to page 3-5			
<input type="checkbox"/>	Upper type	1 = Normal type, aperture 8.5mm 3 = U type, width 6.5mm, 8mm aperture 5 = O type, width 14mm, 8mm aperture	2 = Normal type, aperture 10.5mm 4 = U type, width 6.5mm, 10mm aperture 6 = O type, width 14mm, 10mm aperture		
					
<input type="checkbox"/>	Signal output	A = no		B = Hall sensor	
<input type="checkbox"/>	Cable length	1 = straight 700mm	2 = straight 1000mm	3 = straight 1500mm	4 = customized

Example: Voltage: 12V DC, stroke 100MM.
conventional installation stroke 100+ original size 125. speed 06MM / S, load 2500N,
Code: HTA28H-12-100-225/325-06-2500N-1-A-1

Terms of Use

Geming user's responsibility to determine the suitability of a particular product licensing applications. However, continued research and development process to improve its product performance, Geming brand products without prior notice and may be modified or changed. Therefore, Geming can not guarantee some information within the publication of its product catalog to maintain the most accurate and authentic state. Geming retention stop on sales of the company website, product directory, Terms of Use or the powers of any other written information on the product listed.